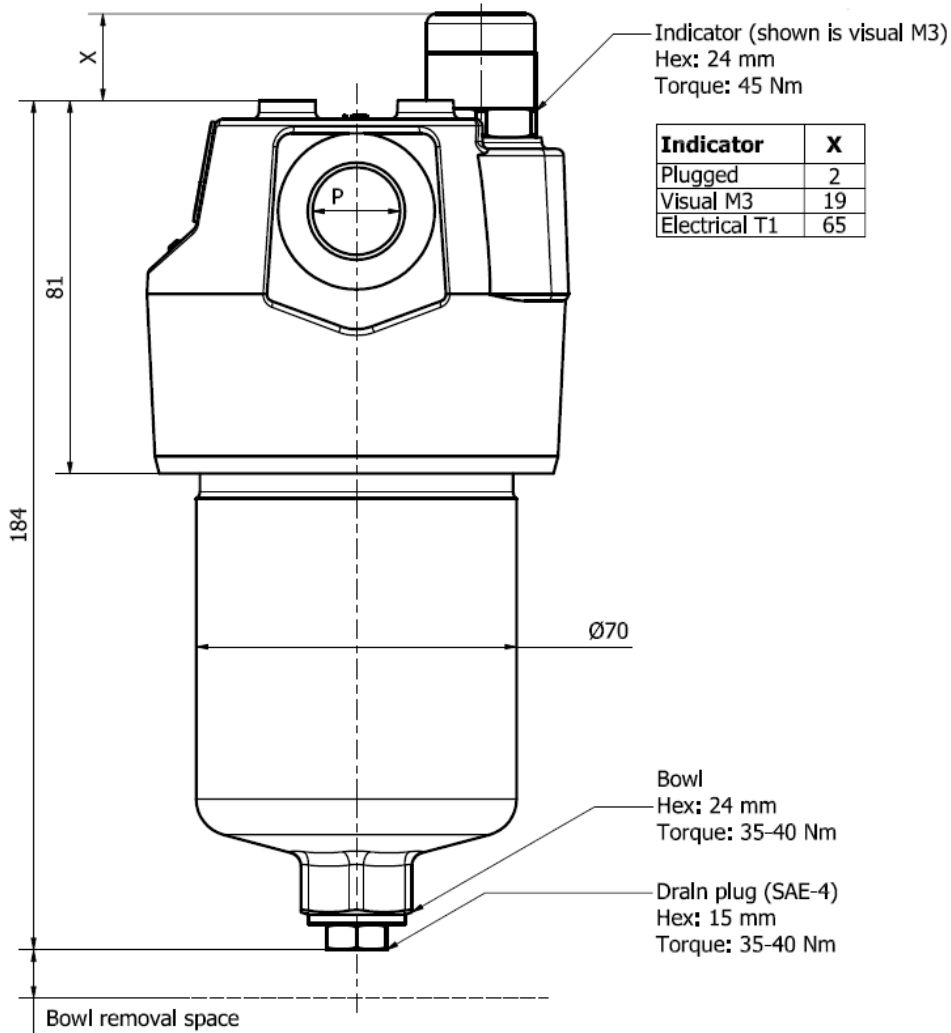


Mounting holes (4x)  
M8 x 1.25 x 12 Deep



Indicator	X
Plugged	2
Visual M3	19
Electrical T1	65

Bowl removal space	
Element	Value
Standard / High Strength	45
Reverse Flow	60

Dimensions in mm

## EPF1 Inline Dimensional drawing

